

meir.®

INSTALLATION GUIDE

GENERAL INFORMATION

- Installation must only be completed by a licensed plumber or tradesperson.
- When installing products, all pipes must be flushed clean before installation.
- The water pressure must be tested. Where the water pressure exceeds 500Kpa, an approved pressure reducing valve should be fitted.
- Always fit isolating taps to the hot and cold inlet connections in accordance with the Australian national plumbing code AS3500.
- Ensure the hoses are not twisted or stretched, are not under tension and not bent to a radius less than 25mm when being installed.
- If the water temperature exceeds 75°C, an approved water tempering valve must be fitted.
- For domestic use only.
- The plumber or tradesperson must generate a certificate or official statement showing the work and tests completed. This certificate or receipt must be kept and provided to Meir during any warranty claim request.
- Follow the 'Care and Cleaning' guide on:
www.meir.com.au/pages/warranty
- Failure to comply with all the above instructions will void all warranties.

THE WARRANTY WILL NOT APPLY IF:

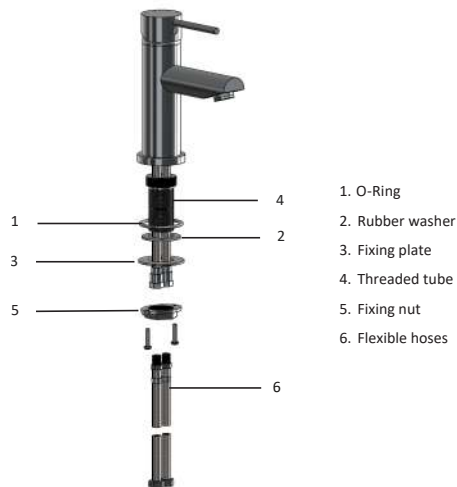
- Normal and fair wear and tear, misuse, abuse, or mishap.
- Exposure to excessive moisture derived from lack of ventilation.
- Inability to provide proof of purchase.
- Products not installed by a licensed tradesperson, failure to follow installation instructions or damage which arise from or during installation.
- Scratches or damage caused by applying physical and or abrasive contact directly to the product.
- The product has been damaged by accident, misuse or neglect.
- The product has not been used in accordance with any applicable instruction guide.
- The purchaser has attempted to modify or repair the product.

Full warranty and terms & conditions can be viewed at:

www.meir.com.au/meir-australia-warranty/

Refer to www.meir.com.au for tolerances, flow rates and other additional information.

BASIN MIXER



1. Install the O-Ring (part 1), flexible hoses (part 6) and the threaded tube (part 4) onto the mixer, ensuring the O-ring is flat, the hoses are tight, and the threaded tube is secure.

NOTE:

- Hot is always on the left position
- Some models use a horse-shoe connection



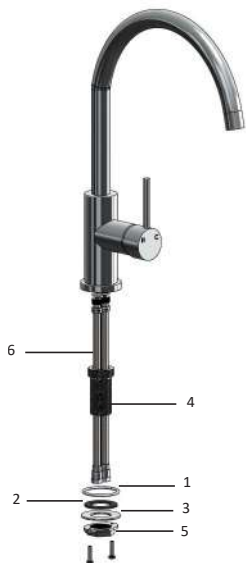
3. Place the rubber washer (part 2) over the flexible hoses and push up until it is firm against the surface being mounted on, then push (part 3 + part 5) the fixing plate and fixing nut over the flexible hoses and tighten firmly and tighten screws where applicable.



4. Connect the flexible hoses to the isolating stop cocks (check that as the hoses are being tightened that they are not loose from the mixer body). Test for leaks and correct operation of the mixer.



KITCHEN MIXER



1. O-Ring
2. Rubber washer
3. Fixing plate
4. Threaded tube
5. Fixing nut
6. Flexible hoses

1. Install the O-Ring (part 1), flexible hoses (part 6) and the threaded tube (part 4) onto the mixer, ensuring the O-ring is flat, the hoses are tight, and the threaded tube is secure.

NOTE:

- Hot is always on the left position
- Some models use a horse-shoe connection

2. Position the mixer over the center of the hole to be used for mounting. Ensure the flexible hoses and threaded tube are pushed through first.

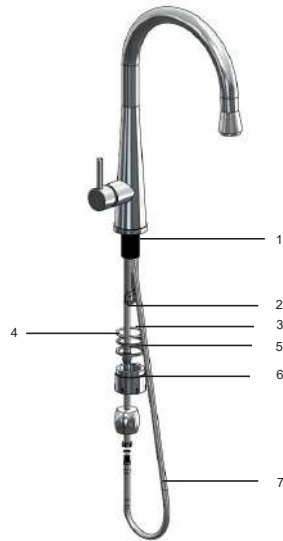


3. Place the rubber washer (part 2) over the flexible hoses and push up until it is firm against the surface being mounted on, then push (part 3 + part 5) the fixing plate and fixing nut over the flexible hoses and tighten firmly and tighten screws where applicable.

4. Connect the flexible hoses to the isolating stop cocks (check that as the hoses are being tightened that they are not loose from the mixer body). Test for leaks and correct operation of the mixer.



PULL-OUT KITCHEN MIXER



1. Threaded tube
2. Flexible hoses
3. O- ring
4. Rubber seal
5. Fixing plate
6. Fixing nut
7. Inlet hoses

1. Position the mixer over the center of the hole to be used for mounting. Ensuring the flexible hoses and threaded tube are pushed through first.



2. Place the rubber seal (part 2) over the flexible hoses and push up until it is firm against the surface being mounted on, then push (part 5 + part 6) the fixing plate and fixing nut over the flexible hoses and tighten firmly.



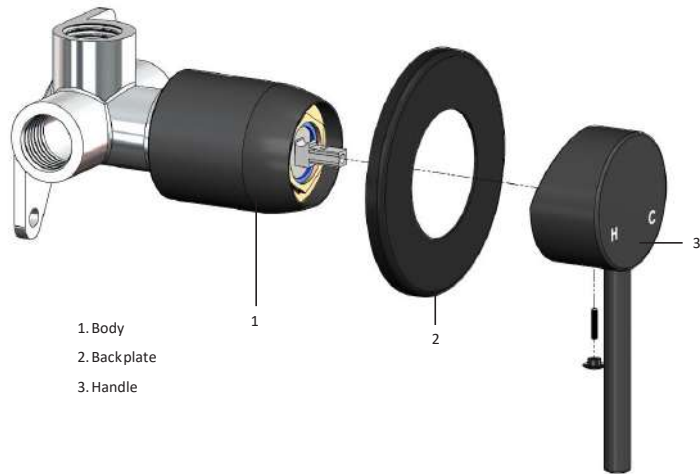
3. Attach the counter weight to the pull out flexible hose (part 2) **DO NOT TIGHTEN** (as the counter weight will need to be adjusted later on). Connect the flexible hoses and tighten (part 7) to the water outlet ensuring the rubber seal is not missed.



4. Adjust the counter weight now to ensure the hose will retract correctly, then tighten. Connect the flexible hoses to the isolating stop cocks (check that as the hoses are being tightened that they are not loosening on the mixer body). Test for leaks.



WALL MIXER

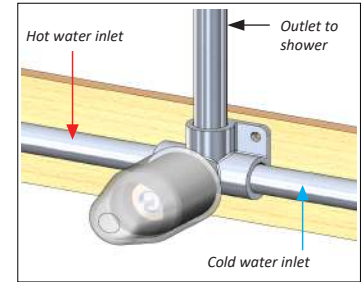
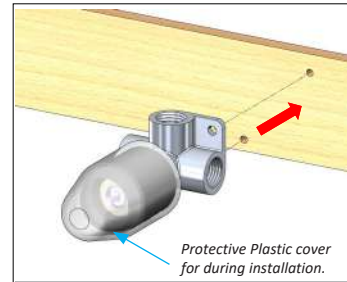


- 1. Body
- 2. Backplate
- 3. Handle

1. Fix the body of the mixer to a suitable fixing plate or noggin. Ensure the mixer is level and will have enough of the body exposed to install the plate (part 2) and handle (part 4).

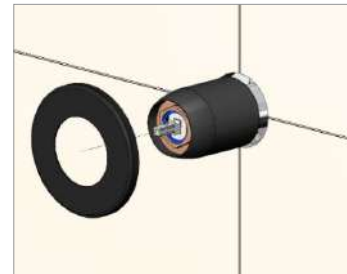
IMPORTANT: Ensure the plastic protector cover remains over the body during installation.

2. Install the hot (on the left) and cold (on the right) water connections. Once all the fittings have been tightened, check for leaks and correct operation of the mixer.

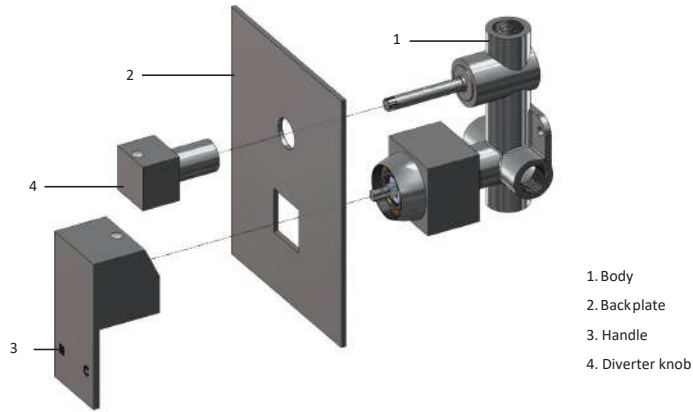


3. Remove the protective covers and carefully slide the back plate (part 2) over the mixer/diverter bodies until it is firm against the wall (it is recommended to apply a clear sealant behind the back plate to ensure water cannot run behind the plate).

4. Fit the handle (part 3) ensuring they are secured correctly after tightening.



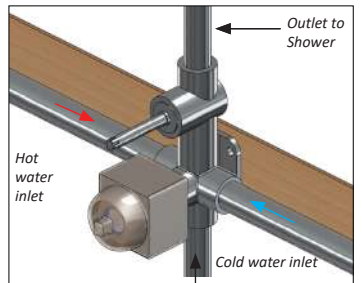
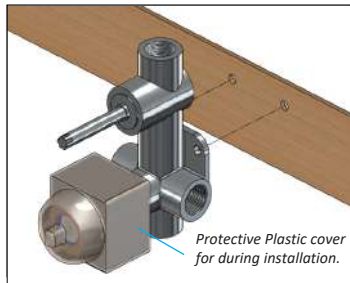
DIVERTER MIXER



1. Fix the body of the mixer to a suitable fixing plate or noggin. Ensure the mixer is level and will have enough of the body exposed to install the plate (part 2) and diverter knob (part 3).

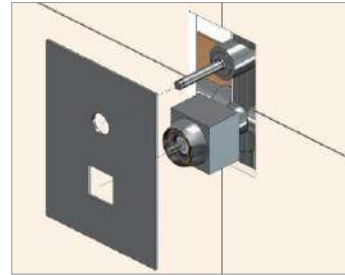
IMPORTANT: Ensure the plastic protector cover remains over the body during installation.

2. Install the hot (on the left) and cold (on the right) water connections and the bottom and top outlets (typically the top outlet is to be used for a shower and the bottom outlet is to be used for a bath or hand spray). Once all the fittings have been tightened, check for leaks and correct operation of the mixer.

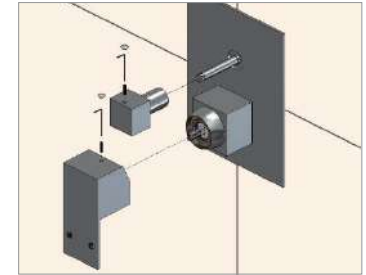


Outlet to Bath or Hand-Held

3. Remove the protective covers and carefully slide the back plate (part 2) over the mixer/diverter bodies until it is firm against the wall (it is recommended to apply a clear sealant behind the back plate to ensure water cannot run behind the plate).

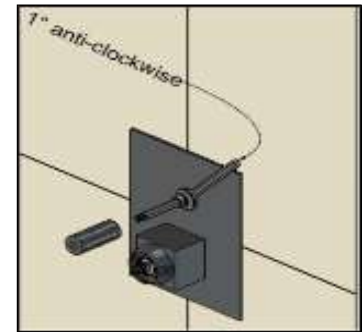
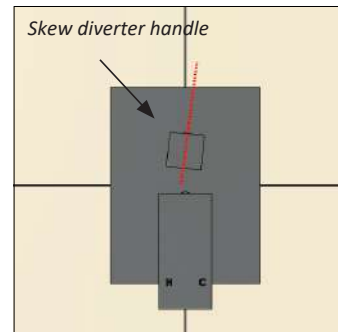


4. Fit the handle (part 3) and diverter knob (part 4) ensuring they are secured correctly (the diverter knob should be turned all the way to the left then adjust the knob so it lines up before tightening).

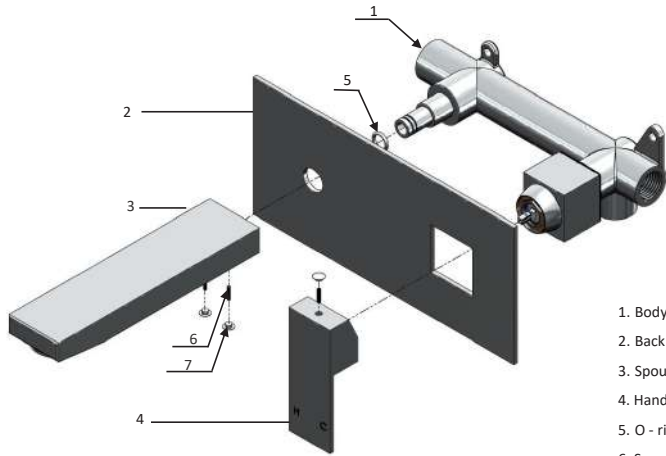


Diverter Handle Orientation Adjustment:

In the case where the diverter handle is not orientated exactly to the vertical, as in the picture below, adjust the diverter anti-clockwise by a small amount as shown in the image. Remove the diverter sleeve, and using a size 10 spanner, make the adjustment slightly to the left (anti-clockwise) until the handle points exactly to the vertical.

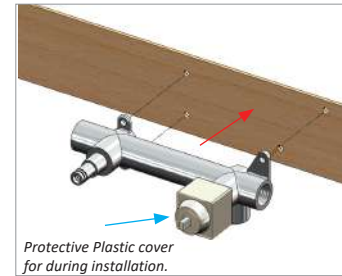


WALL SPOUT AND MIXER

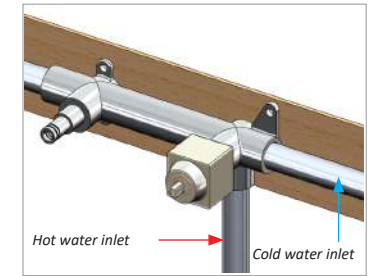


1. Body
2. Back plate
3. Spout
4. Handle
5. O - ring
6. Screw
7. Decor knob

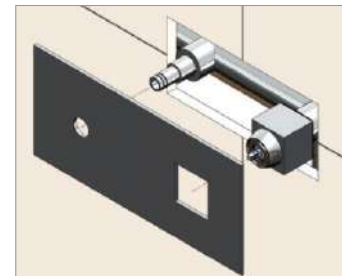
1. Fix the body of the mixer to a suitable fixing plate or noggin. Ensure the mixer is level and will have enough of the body exposed to install the plate (part 2) and spout (part 3).



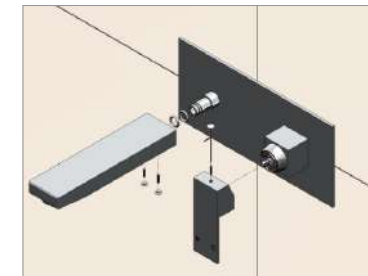
2. Install the hot (Bottom) and cold (Right) water connections. Once all of the fittings have been tightened, check for leaks and correct operation of the mixer.



3. Remove the protective covers and carefully slide the back plate (part 2) over the mixer and spout bodies until it is firm against the wall (it is recommended to apply a clear sealant behind the back plate to ensure water cannot run behind the plate).



4. Fit the handle (part 4) and spout (part 3) ensuring they are secured correctly (the spout has two grub screws which need to be tightened at the same time in sequence) failure to follow this step can result in the spout not lining up.



SPOUT

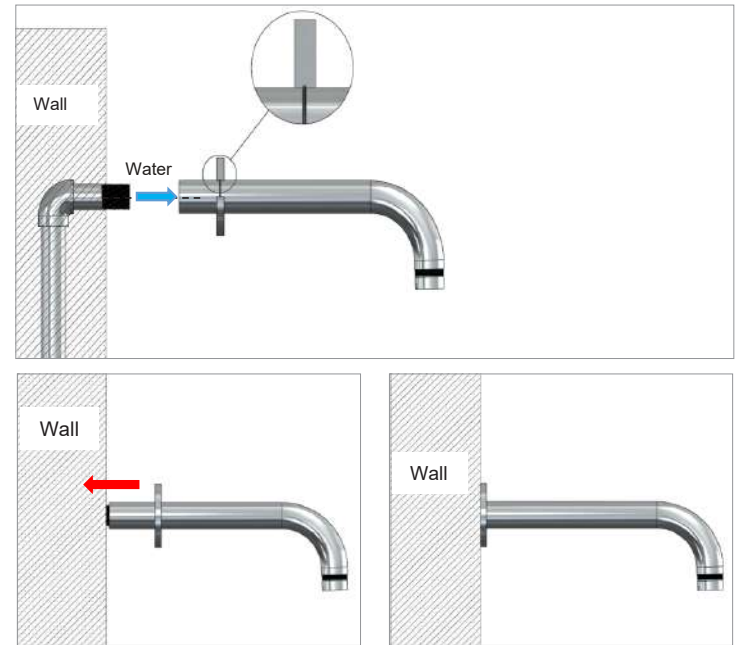


1. Apply thread tape to the exposed G1/2" BSP thread, ensure the back plate (part 2) is installed on the body of the spout before screwing the spout clockwise (by hand) onto the G1/2" BSP thread (the spout should finish up tight against the finished surface).

Test for leaks and correct operation of the spout.

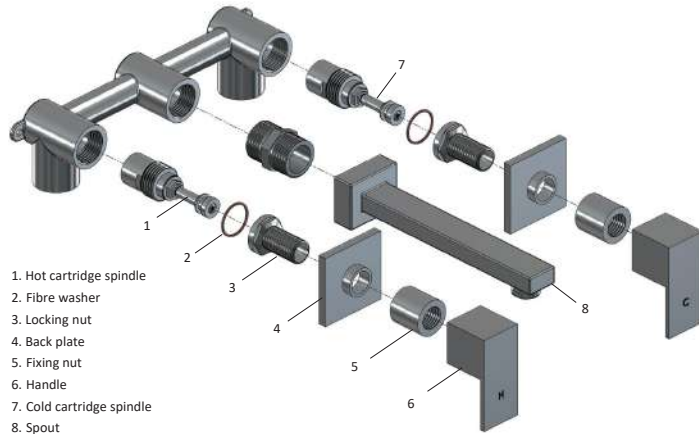
Push the back plate firmly against the finished surface. (it is recommended to apply a small amount of clear sealant to the back of the plate or spout to ensure water cannot run behind).

IMPORTANT: No tools are to be applied directly to the spout.

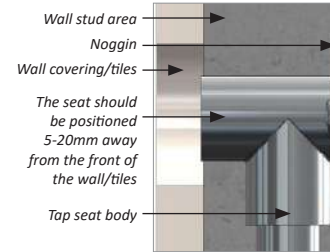


WALL SET

(CONCEALED SHOWER/BASIN/BATH BREECH ASSEMBLY SHOWN IS SOLD SEPERATELY)



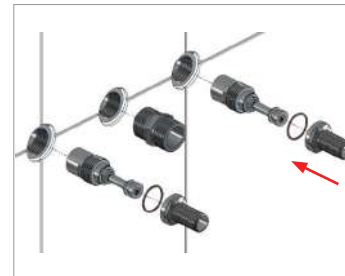
1. (A Typical Installation) Fix the concealed assembly to a suitable fixing plate or noggin. Ensure the assembly is finished level with surface face as per the below diagram.



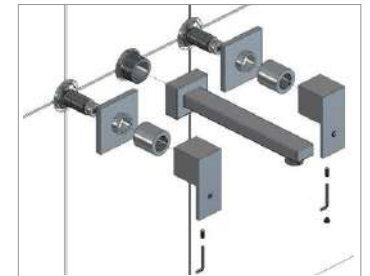
2. Install the hot (bottom left) and cold (bottom right) water connections. Once all the fittings have been tightened, check for leaks and correct operation of the assembly.



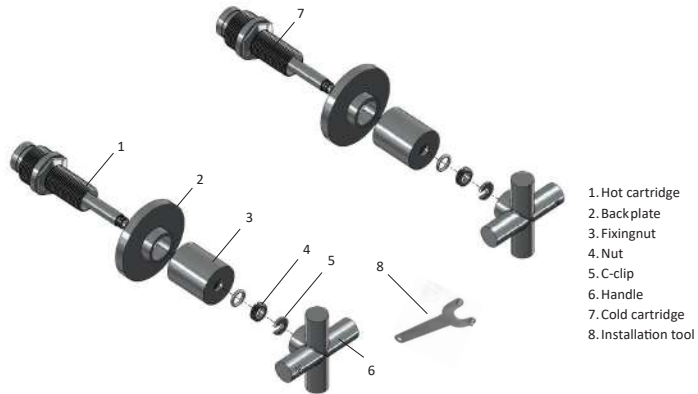
3. Now install the wall tops and insert a 1/2-inch male BSP threaded pipe into the center outlet using threaded tape or plumbers tape (not provided) ensuring all the fittings are tight and tested for leaks and operation. Apply clear sealant if required.



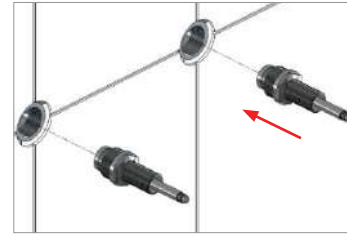
4. Fit the handles, plates and spout ensuring they are secured correctly, as per their individual installation guides.



JUMPER VALVE WALL TOP ASSEMBLY



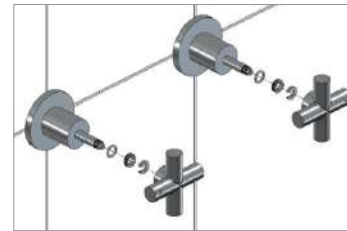
1. Ensure the seat surface is clean and smooth, if required re-seat and flush. Disassemble the handle and back plate from the spindle if required. Install the jumper valve spindle into the breech seat and tighten the locking nut. Ensure the spindle sits correctly in terms of direction and depth before waterproofing.



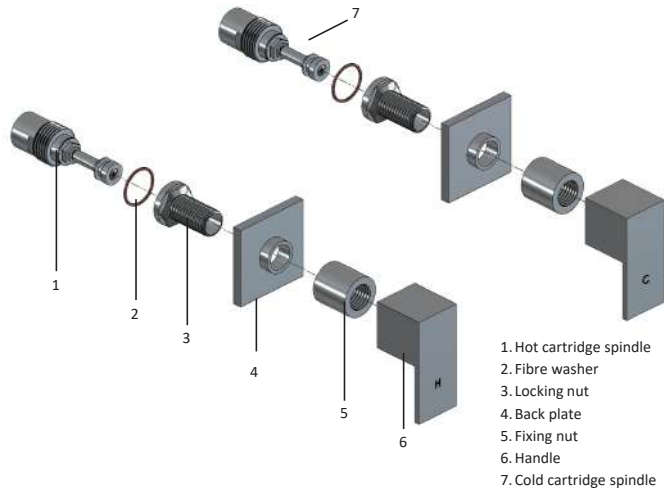
2. Slide the cover plate and fixing nut over the spindle and hand tighten (if there is not enough thread to tighten the fixing nut on you will require spindle extensions, these can be purchased separately).



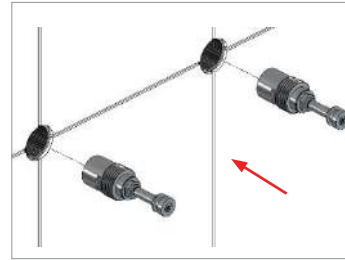
3. Install parts 4, 5 and 6 then tighten accordingly. Use care when using the provided 2 prong spanner to avoid scratching the spindle. Test for leaks around the spindle bodies and to ensure the wall tops are functioning correctly.



QUARTER TURN WALL TOP ASSEMBLY



1. Ensure the seat surface is clean and smooth, if required, re-seat and flush. Disassemble the handle, back plate, locking nut and fibre washer from the spindle (see image below). Install the spindle into the breech seat and ensure the spindle sits correctly.



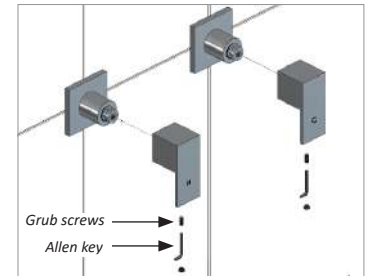
2. Install the fibre washer then locking nut onto the spindle and tighten.



3. Slide the cover plate and fixing nut over the spindle and hand tighten (if there is not enough thread to tighten the fixing nut on you will require extended spindles or spindle extensions, these can be purchased separately).



4. Install the handles and tighten the grub screw (ensure the spindles are turned to the off position and the handles are aligned correctly before tightening the grub screw). Test for leaks and to ensure the wall tops are functioning correctly.



BASIN SET / HOB SET



1. Hot cartridge
2. Back plate
3. Connector
4. Fibre washer
5. Screw
6. Fixing nut
7. Handle
8. Cold cartridge
9. Spout

1. Disassemble the handle, back plate, locking nut and fibre washer from the spindle. Install the supplied breach assembly under the basin and install the spindle into the breach seat and ensure the spindle sits tightly and correctly.



2. Install the fibre washer then locking nut back onto the spindle and tighten. Slide the cover plate and fixing nut over the spindle and hand tighten.



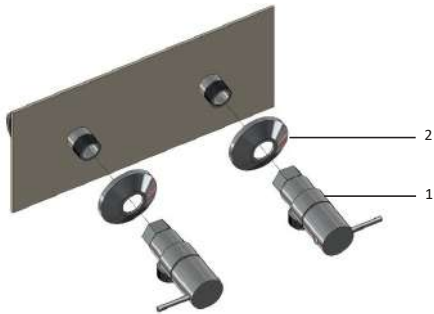
3. Install the handles and tighten the grub screw (ensure the spindles are turned to the off position and the handles are aligned correctly before tightening the grub screw).



4. Position the spout to the center of the hole and mount to assembly breach. Tighten all fittings and test for leaks.



WASHING MACHINE STOPS



1. Body
2. Cover plates

1. Install the cover plates over the G1/2" BSP pipes.

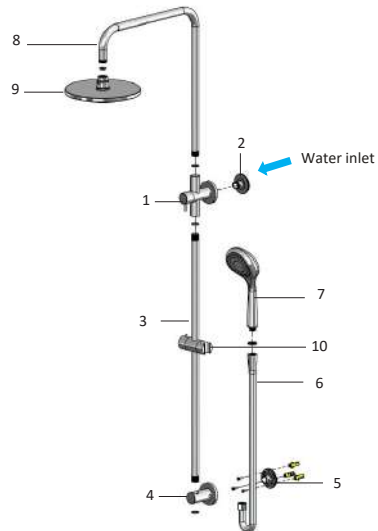


2. Screw the tap body onto the G1/2" BSP thread and ensure the outlet is facing down (it is recommended to apply threaded tape before installation) Do not over-tighten.



TWIN SHOWER

1. Diverter body
2. Inlet fitting
3. Bottom rail
4. Bottom bracket
5. Bottom mounting bracket
6. Shower hose
7. Hand shower
8. Top arm
9. Shower rose
10. Hand shower bracket



1. Determine the desired height from the finished floor to the G 1/2" outlet (this is done at the rough-in stage before finishing the wall).
2. Measure the location of the bottom mount from the top outlet location (the bottom bracket is adjustable as per **Fig. A**) drill out the mounting holes and install the bottom mounting bracket (part 5).
3. Screw the shower inlet fitting (part 2) to the exposed G 1/2" fitting (as per **Fig. B.**) now install the top arm (part 8) and bottom rail (part 3) into the diverter body (part 1) as per **Fig. B.**
4. Slide the bottom bracket (part 4) over the rail, now place the diverter body onto the inlet fitting (part 2) and adjust the bottom bracket to meet the bottom mounting bracket (part 5) once both the top and bottom mounts are correct, tighten the mounting bracket grub screws as per **Fig. C.**
5. Attach the hand shower (part 7) and shower hose (part 6) to the bracket (part 10) as per **Fig. D.**

TWIN SHOWER (CONTINUED)

Fig. A

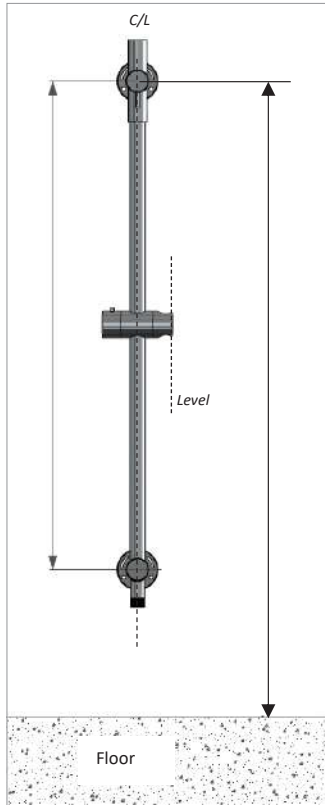


Fig. B

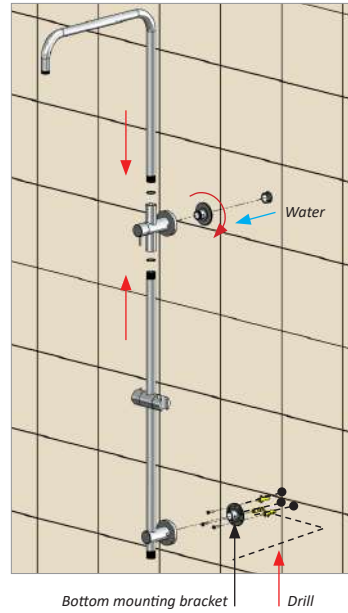


Fig. C

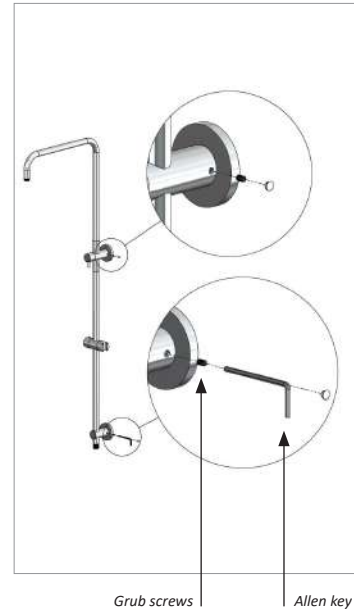


Fig. D



SHOWER COLUMN



1. Body
2. Top mounting bracket
3. Screw
4. Top bracket
5. Bottom bracket
6. Elbow
7. Bottom mounting bracket
8. Shower hose
9. Hand shower
10. Hand shower bracket

1. Determine the desired height from the finished floor to the G1/2B outlet for the inlet elbow (this is done at the rough-in stage before finishing the wall).
2. Measure the location of the bottom and top mount location as per **Fig. A**, drill out the mounting holes and install the bottom and top mounting bracket (part 7 and part 2) as per **Fig. B**.
3. Attach the bottom and top mounts to the mounting brackets that are installed on the wall and tighten the grub screws, as per **Fig. C**.
4. Attach the hand shower (part 9) and shower hose (part 8) to the bracket (part 10)

SHOWER COLUMN (CONTINUED)

Fig. A

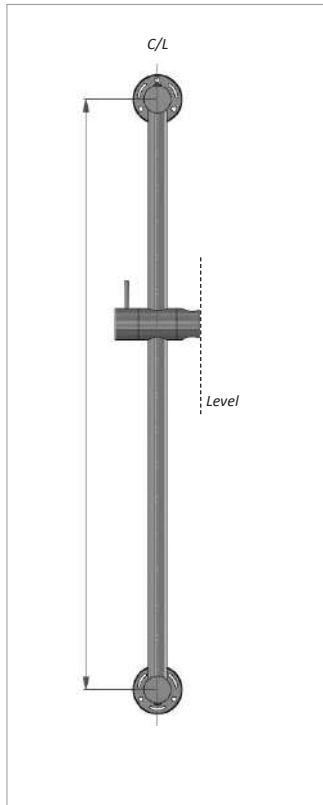


Fig. B



Fig. C

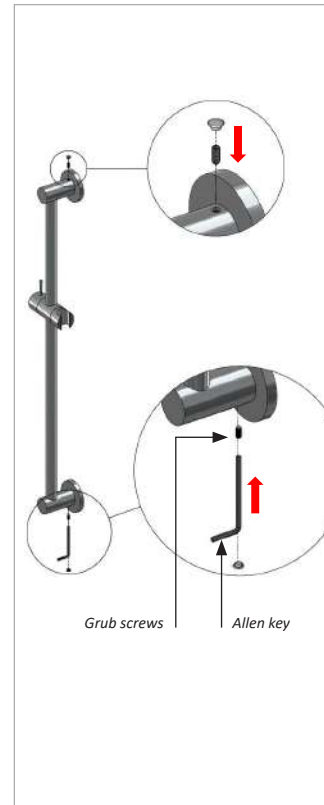
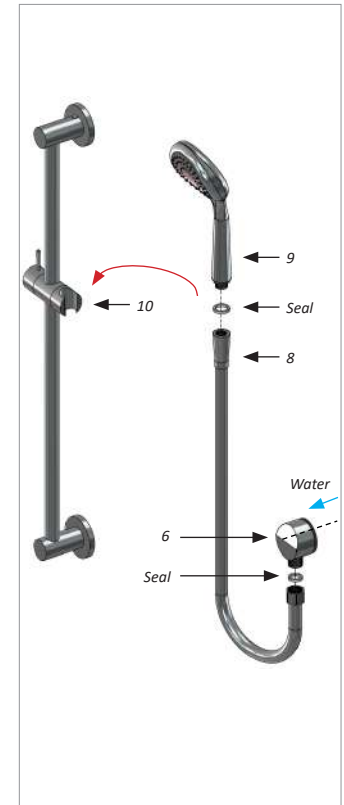


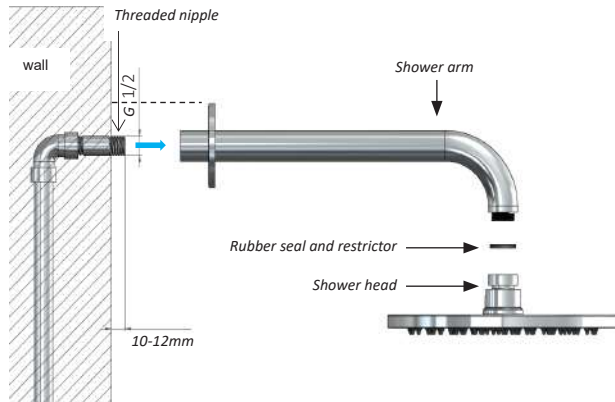
Fig. D



WALL SHOWER

1. Check that the G 1/2" thread is the correct length. Cut to length if required ensuring the shower arm will finish flush with the wall. Apply thread tape (if required).
2. Slide the back plate over the shower arm (before screwing the arm onto the thread).
3. By hand, screw the shower arm onto the G 1/2" thread ensuring that when it finishes it is level and at the correct end position.
4. Attach the shower head, ensuring the rubber seal and flow restrictor is installed (these may be loose in the box).

IMPORTANT: No tools are to be applied to the shower arm directly.



Refer to www.meir.com.au for tolerances, flow rates and other additional information.

ACCESSORIES

1. Determine the desired location.
2. Measure the location of the mount, drill out the mounting holes and install the mounting bracket with grommets. 3. Attach the accessory to the mounting bracket(s) that are installed on the wall and tighten the screws, as per the below



Refer to www.meir.com.au for tolerances, flow rates and other additional information.

Reception

1800 012 122

sales@meir.com.au

Open 24-hours, 7 days a week

Warehouse

584 Ballarat Road,

Albion Victoria 3020

Australia
